

CFP - CUSTOM FLOW PLENUM

LENGTH:

- 24" (610mm)
- 30" (762mm)
- 36" (914mm)
- 48" (1219mm)
- 60" (1524mm)

• Fractional sizes available between 12" (305mm) and 72" (1829mm)

SLOT WIDTH:

- 1" (25mm)
- 1 1/2" (38mm)
- 2" (51mm)
- 2 1/2" (64mm)
- 3" (76mm)

SLOT QUANTITY:

- 1
- 2

FINISH:

- MILL - Unpainted

CONSTRUCTION:

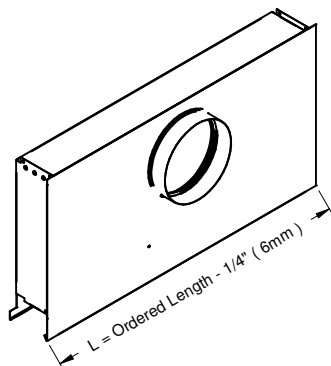
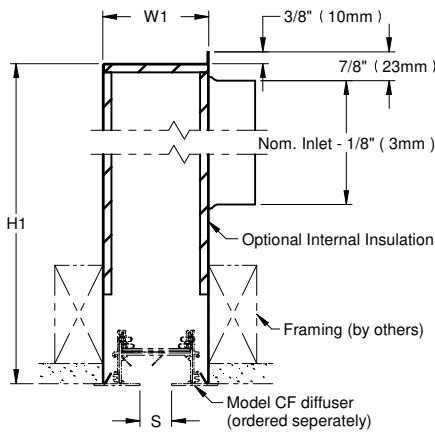
- STANDARD - Coated steel
- MRI - Aluminum construction for MRI applications
 - HEM, FLAT application only
 - Not available with VCR8EC damper, BN neck options

NOTES:

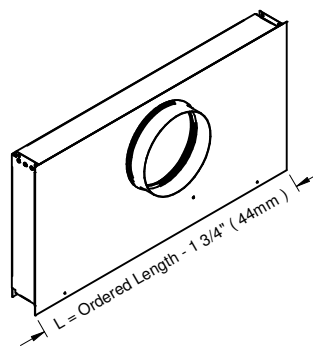
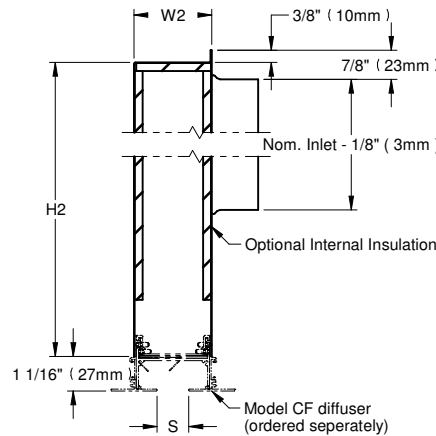
- Use with Custom Flow (CF) diffusers
- When plenum endcaps are not positioned directly over diffuser spacer bar, install blankoff from plenum endcap to next spacer bar
- For installation instructions, see CF installation manual
- Factory tolerance +/- 1/16" (2mm)

APPLICATION:

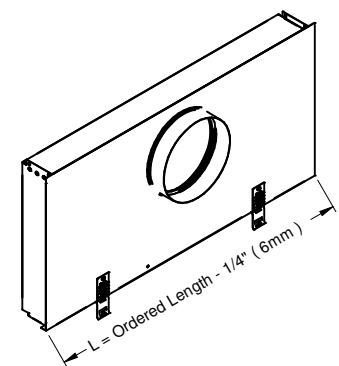
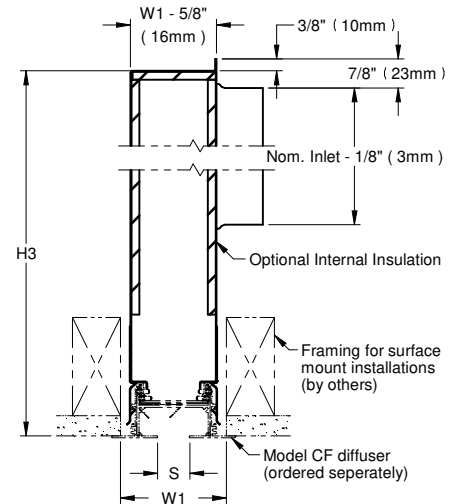
- HEM - Hemmed Edge
- Fastened to framing before diffuser



- FLAT - Flat Edge
- Screw attached to diffuser neck (by others)



- SNAP - Snap Clip
- Installed after diffuser



SNAP plenums require proper clearance from ceiling framing for clips to engage

ALL METRIC DIMENSIONS () ARE SOFT CONVERTED. IMPERIAL DIMENSIONS ARE CONVERTED TO METRIC AND ROUNDED TO THE NEAREST MILLIMETER.

PROJECT:

ENGINEER:

CUSTOMER:

SUBMITTAL DATE:

SPEC. SYMBOL:

269575

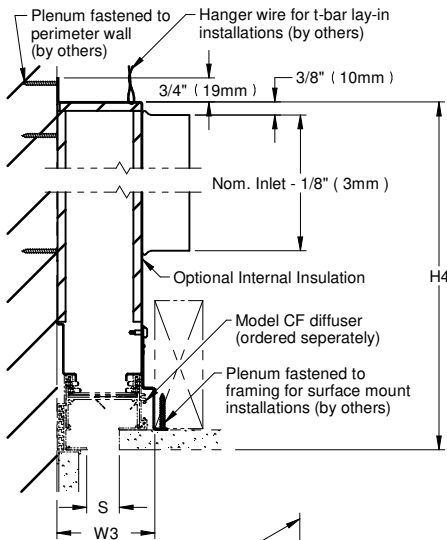
2023/06/15



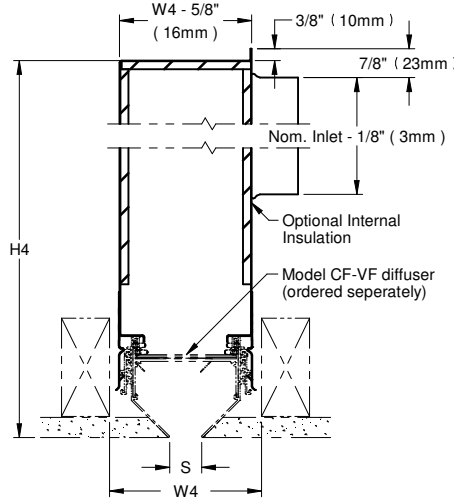
CFP
CUSTOM FLOW PLENUM

CFP - CUSTOM FLOW PLENUM

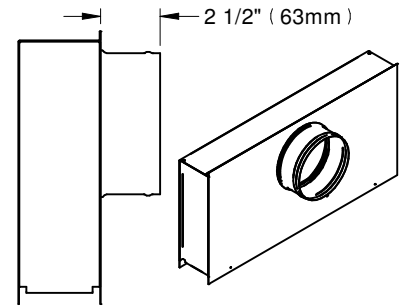
- PERIM - Perimeter Wall Plenum
 - Fastened to perimeter wall



- SNAP-VF - Snap Clip for VF Frame
 - Installed after diffuser
 - Only compatible with CF-VF frame
 - Only available in 1 slot

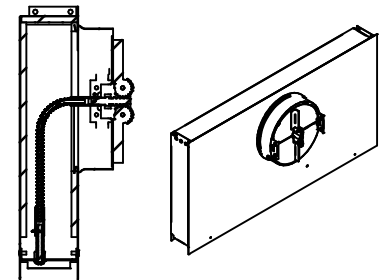


NECK OPTION:



- BN - Beaded Extended Neck
 - Round inlets only

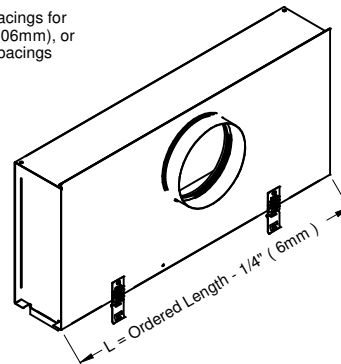
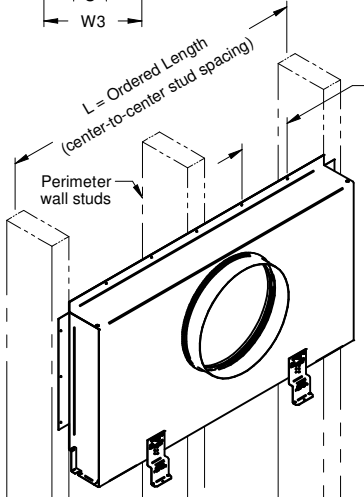
OPTIONAL DAMPER:



- VCR8EC - Cable Operated Damper
 - Round inlets only

OPTIONAL INSULATION:

- FF - Fiber-Free Foam Insulation (sides and top)
- CF - Coated Fiberglass Insulation (sides and top)
- FF+E - Fiber-Free Foam Insulation with insulated endcaps (sides, top, and endcaps)
- CF+E - Coated Fiberglass Insulation with insulated endcaps (sides, top, and endcaps)



SNAP-VF plenums require proper clearance from ceiling framing for clips to engage

S	Slot Qty.	W1	W2	W3	W4
1" (25mm)	1	3 3/8" (86mm)	2 7/16" (62mm)	3 1/16" (78mm)	4 3/4" (121mm)
	2	5 11/16" (144mm)	4 3/4" (121mm)	5 3/8" (137mm)	-
1 1/2" (38mm)	1	4 3/8" (111mm)	3 7/16" (87mm)	4 1/16" (103mm)	4 3/4" (121mm)
	2	7 11/16" (195mm)	6 3/4" (171mm)	7 3/8" (187mm)	-
2" (51mm)	1	5 3/8" (137mm)	4 7/16" (113mm)	5 1/16" (129mm)	5 3/4" (146mm)
	2	9 11/16" (246mm)	8 3/4" (222mm)	9 3/8" (238mm)	-
2 1/2" (64mm)	1	6 3/8" (162mm)	5 7/16" (138mm)	6 1/16" (154mm)	5 3/4" (146mm)
	2	11 11/16" (297mm)	10 3/4" (273mm)	11 3/8" (289mm)	-
3" (76mm)	1	7 3/8" (187mm)	6 7/16" (164mm)	7 1/16" (179mm)	6 3/4" (171mm)
	2	13 11/16" (348mm)	12 3/4" (324mm)	13 3/8" (340mm)	-

ALL METRIC DIMENSIONS () ARE SOFT CONVERTED. IMPERIAL DIMENSIONS ARE CONVERTED TO METRIC AND ROUNDED TO THE NEAREST MILLIMETER.

PROJECT:

ENGINEER:

CUSTOMER:

SUBMITTAL DATE:

SPEC. SYMBOL:

269575

2023/06/15



CFP
CUSTOM FLOW PLENUM

CFP - CUSTOM FLOW PLENUM

Slot Qty.	Nominal Inlet	H1	H2	H3	H4
1	6, 8, 10 (Oval), 12 (Oval), FC	12" (305mm)	11" (279mm)	13" (330mm)	14" (356mm)
	10	14" (356mm)	13" (330mm)	15" (381mm)	16" (406mm)
	12	16" (406mm)	15" (381mm)	17" (432mm)	18" (457mm)
2	(all)	18" (457mm)	17" (432mm)	18" (457mm)	18" (457mm)



Scan for link to additional product information and installation instructions.

Nominal Inlet for Ordered Length ≥ 24":

Nominal Inlet for Ordered Length < 24":

S	Slot Qty.	6" (152mm)	8" (203mm)	10" (254mm)	12" (305mm)	FC - FIELD CUT
1"	1	•	•	•○	•○	•
(25mm)	2		•	•	•	•
1 1/2"	1	•	•	•○	•○	•
(38mm)	2		•	•	•	•
2"	1		•	•○	•○	•
(51mm)	2		•	•	•	•
2 1/2"	1			•○	•○	•
(64mm)	2			•	•	•
3"	1			•○	•○	•
(76mm)	2			•	•	•

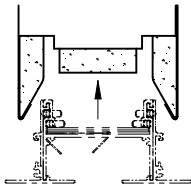
- 6" (152mm)
- 8" (203mm)
- FC - Field Cut

• Available as round inlet

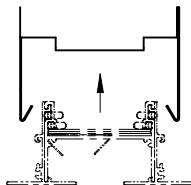
○ Supplied as equivalent flat oval size:

10" (254mm) = 8" x 10 15/16" (203mm x 278mm)
 12" (305mm) = 8" x 14 3/32" (203mm x 358mm)

LEAKAGE OPTION:



LOW-LEAK - Low Leakage Construction
 • Gasket applied to endcaps



STANDARD - Standard Construction

Plenum Compatibility Chart

Diffuser Frame Style & Mounting	Surface Mount					Lay-In						CMF-EF	FM-CMF	FM-EF
	CMF	EF	FM	OFS	VF	EF	FM	TG916	TG1516	TZ-4	TZ-6			
NO-MOUNT						F, S	F	F	F	F	F			
MP-D625	H, S	H, S	H											
MP-DR	H, S	H, S	H											
C	H	H												
A	H													
HB						F, S	F			F	F			F, S
HBN							F, P	F	F					P
OFS				P										
MP-V625					S-VF									
MP-DRxHB												F, S	F, S	F, S
MP-D625xHB												F, S	F, S	F, S
MP-DRxHBN													P	P
MP-D625xHBN													P	P
AxHB												F, S	F, S	
AxHBN													P	

Legend: H = HEM F = FLAT S = SNAP P = PERIM S-VF = SNAP-VF

ALL METRIC DIMENSIONS () ARE SOFT CONVERTED. IMPERIAL DIMENSIONS ARE CONVERTED TO METRIC AND ROUNDED TO THE NEAREST MILLIMETER.

PROJECT:		 CFP CUSTOM FLOW PLENUM
ENGINEER:		
CUSTOMER:		
SUBMITTAL DATE:	SPEC. SYMBOL:	

269575
 2023/06/15